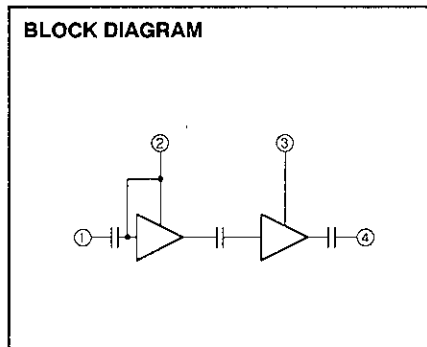
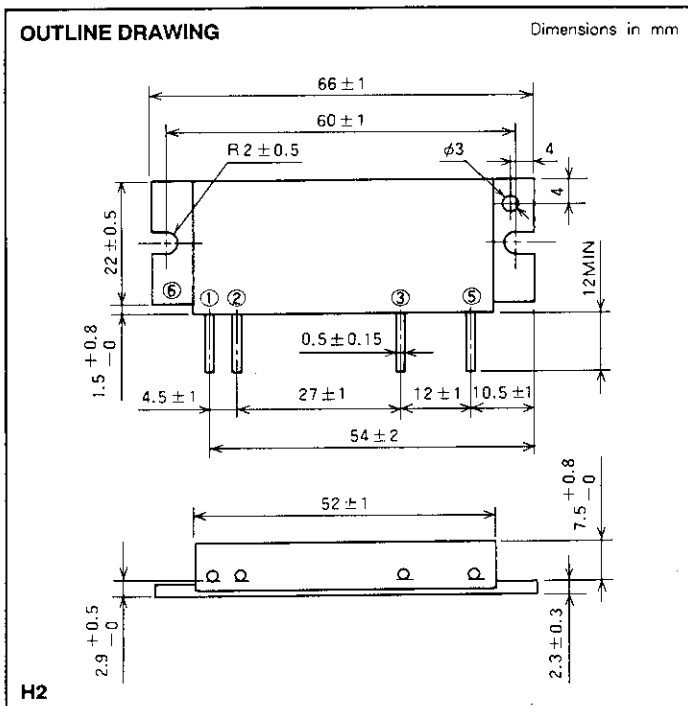


# M57719L

135~145MHz, 12.5V, 14W, FM MOBILE RADIO



PIN :  
 ① Pin : RF INPUT  
 ② Vcc1 : 1st. DC SUPPLY  
 ③ Vcc2 : 2nd. DC SUPPLY  
 ④ Po : RF OUTPUT  
 ⑤ GND : FIN

**ABSOLUTE MAXIMUM RATINGS** (Tc = 25°C unless otherwise noted)

Symbol	Parameter	Conditions	Ratings	Unit
Vcc	Supply voltage		17	V
Icc	Total current		6	A
Pin(max)	Input power	ZG = ZL = 50 Ω	0.4	W
Po(max)	Output power	ZG = ZL = 50 Ω	20	W
Tc(OP)	Operation case temperature		-30~110	°C
Tstg	Storage temperature		-40~110	°C

**ELECTRICAL CHARACTERISTICS** (Tc = 25°C unless otherwise noted)

Symbol	Parameter	Test conditions	Limits		Unit
			Min	Max	
f	Frequency range	Pin = 0.2W Vcc = 12.5V ZG = ZL = 50 Ω	135	145	MHz
Po	Output power		14		W
η T	Total efficiency		40		%
2fo	2nd. harmonic			-25	dB
3fo	3rd. harmonic			-35	dB
ρ in	Input VSWR			4	-
-	Load VSWR tolerance	Vcc = 15.2V, Po = 14W (Pin : controlled) Load VSWR=20:1 (All phase), 2sec. ZG = 50Ω	No degradation		-



30833